

SERVICE MANUAL

T4.55 / T4.65 / T4.75 PowerStar™ Tractor

Part number 84419869A
English
October 2011



INTRODUCTORY NOTES

- *This manual is divided into sections identified by two-figure numbers and each section has independent page numbering.*
- *The different sections can easily be found by consulting the table of contents on the following pages.*
- *The document number of the manual and the edition/update dates are given at the bottom of each page.*
- *The pages of future updates will be identified by the same print number followed by an additional digit: standard manual first edition 84419869A - 1st update 84419869A1 - 2nd update 84419869A2 - etc. The pages of the update can replace or supplement the pages of the standard manual; the necessary information for the procedure to add or replace the pages is given on the title page of the update. The publication will be completed with an appropriate index. If it is necessary to issue a new updated manual (2nd edition) it will have document number 84419869B, this indicates that the manual is composed of the standard version 84419869A completed with all the updates: 1st update 84419869A1 - 2nd update 84419869A2 - etc.*
- *The information contained in this manual was current on the date printed on each section. As NEW HOLLAND constantly improves its product range, some information may be out of date subsequent to modifications implemented for technical or commercial reasons, or to meet legal requirements in different countries. In the event of conflicting information, consult the NEW HOLLAND Sales and Service Departments.*

IMPORTANT WARNINGS

- *All maintenance and repair work described in this manual must be performed exclusively by NEW HOLLAND service technicians, in strict accordance with the instructions given and using any specific tools necessary.*
- *Anyone performing the operations described herein without strictly following the instructions is personally responsible for any eventual injury or damage to property.*
- *The Manufacturer and all organisations belonging to the Manufacturer's distribution network, including but not restricted to national, regional or local distributors, will accept no responsibility for personal injury or damage to property caused by abnormal function of parts and/or components not approved by the Manufacturer, including those used for maintenance and/or repair of the product manufactured or marketed by the Manufacturer. In any case, the product manufactured or marketed by the Manufacturer is covered by no guarantee of any kind against personal injury or damage to property caused by abnormal function of parts and/or components not approved by the Manufacturer.*

No part of the text or illustrations may be copied



PRINTED IN FRANCE

© CNH GLOBAL N.V.

Print no. **84419869A** - 06 - 2011

CONTENTS

	Page	Date		Page	Date
00 - GENERAL GUIDELINES					
General instructions	1-2	06-11			
Safety regulations	3-4-5	06-11			
Tractor refuelling	6	06-11			
10 - ENGINE					
CHAPTER 1					
Summary	1	06-11			
General specifications	2-3	06-11			
Engine removal-installation	4-5-6-7-8-9-10	06-11			
Removal-Installation fuel tank	11-12	06-11			
Coolant radiator removal-installation	13-14-15	06-11			
Accelerator control cable adjustment	16	06-11			
18 - CLUTCH					
Main Data	1	06-11			
Torque Specifications	2	06-11			
Tools	2	06-11			
Sections	3	06-11			
Troubleshooting	4	06-11			
Removal-Installation - clutch	5	06-11			
Clutch Overhaul	6-7-8-9	06-11			
Checks and measurements - clutch	10-11	06-11			
Adjustments - clutch disengagement levers	11	06-11			
Adjustments - clutch pedal	12	06-11			
Sectional view of PTO clutch servo control	13	06-11			
Description and operation of PTO servo control	14-15	06-11			
PTO servo control adjustment	16	06-11			
PTO engaged switch adjustment	17	06-11			
21 - GEAR TRANSMISSION					
Chapter 1 - Mechanical transmission					
Main Data	1-2	06-11			
Torque Specifications	2-3	06-11			
Tools	4	06-11			
Sections	5-6-7	06-11			
Description and operation	8	06-11			
Troubleshooting	8-9	06-11			
Removal-Installation - rear transmission - gearbox casing	10-11-12-13	06-11			
Disassembly-Assembly - transmission-gearbox casing	17-18	06-11			
Disassembly-Assembly - clutch casing	19-20-21	06-11			
Sealing compound application diagram	22	06-11			
Transmission oil cooler removal-installation	23	06-11			
CHAPTER 3 - Power Shuttle transmission					
Main Data	1-2	06-11			
Torque Specifications	3	06-11			
Tools	4	06-11			
Sections	5-6-7	06-11			
Description and operation .	8	06-11			
Troubleshooting	8	06-11			
Disassembly-Assembly - clutch casing	9-10-11	06-11			
Main clutch adjustments . .	12	06-11			
23 - DRIVE LINES					
Main Data	1	06-11			
Torque Specifications	2	06-11			
Sections	3-4	06-11			
Description and operation .	5	06-11			
Troubleshooting	6	06-11			
Drive shafts and guard. Disassembly - Assembly . . .	7	06-11			

	Page	Date		Page	Date
Removal-Installation - drive gear casing	8	06-11	Adjustments - bevel drive	14-15-16	06-11
25 - FRONT AXLE MECHANICAL TRANSMISSION			Removal - Installation side gear casing	17-18-19-20	06-11
CHAPTER 1 - Front mechanical transmission			Disassembly-Assembly - drive wheel shaft	21-22	06-11
Main Data	1-2	06-11	31 - POWER TAKE-OFF		
Torque Specifications	3-4	06-11	CHAPTER 1 - Mechanical power take-off		
Tools	5	06-11	Main Data	1-2	06-11
Sections	6	06-11	Torque Specifications	3-4	06-11
Removal-Installation - front axle	8-9-10	06-11	Sections	5-6	06-11
Front axle. Disassembly - Assembly	11-12-13-14-15-16-17-18	06-11	Description and operation .	7-8	06-11
Replacing steering knuckle pins and bearings	19	06-11	Troubleshooting	8	06-11
Adjustments - steering knuckle bearings	20-21	06-11	33 - BRAKES		
Adjustments - bevel drive	22-23-24-25-26-27-28	06-11	Main Data	1-2	06-11
Overhaul - front differential	29	06-11	Torque Specifications	2	06-11
LIM-SLIP self-locking differential	30-31	06-11	Sections	3	06-11
Checking leading wheel alignment	32	06-11	Description and operation .	4	06-11
Disassembly-Assembly - front epicyclic final drive ..	33-34	06-11	Troubleshooting	5-6	06-11
27 - REAR MECHANICAL TRANSMISSION			Removal-Installation - service brake	7	06-11
Main Data	1-2	06-11	Removal-Installation - service brake pump	8-9	06-11
Torque Specifications	3-4	06-11	Adjustments - service brake pedals travel	10	06-11
Tools	5	06-11	Service brake circuit air bleeding	11-12	06-11
Sections	6-7	06-11	35 - HYDRAULIC SYSTEMS		
Description and operation .	8	06-11	CHAPTER 1 - Rear mechanical hydraulic lift		
Troubleshooting	8	06-11	Main Data	2	06-11
Disassembly-Assembly - transmission-gearbox casing	9-10-11-12	06-11	Torque Specifications	2-3	06-11
Adjustments - differential lock engagement sleeve position	13	06-11	Tools	3	06-11
			Sections	4	06-11
			Troubleshooting	5	06-11
			Description and operation .	6-7-8-9-10-11	06-11
			Lift internal controls. Disassembly - Assembly	12-13-14-15	06-11

	Page	Date		Page	Date
Draft reading unit Disassembly - Assembly	16-17	06-11	Bucket control cylinder removal-installation	15	06-11
Lift arms shaft. Disassembly - Assembly	18-19	06-11	Replacement of pins	16	06-11
Removal-Installation - lift control valve	20	06-11			
Adjusting the lift	21-22-23	06-11			
CHAPTER 2 - Open centre system auxiliary control valves			41 - STEERING		
Main Data	2	06-11	CHAPTER 1 - Steering		
Tools	2	06-11	Main Data	2	06-11
Torque Specifications	2	06-11	Torque Specifications	2	06-11
Sections	3-4	06-11	Tools	3	06-11
Description and operation .	5-6-7-8	06-11	Description and operation .	4-5-6	06-11
Auxiliary control valves. Disassembly - Assembly ...	9-10-11	06-11	View of hydrostatic steering control valve components .	7	06-11
CHAPTER 3 - Trailer brakes auxiliary control valves			Troubleshooting	8-9	06-11
Sections	1	06-11	Replacement - hydrostatic steering wheel	10	06-11
Description and operation .	1-2-3-4-5-6-7	06-11	Removal-Installation - hydrostatic steering control valve	11-12	06-11
Troubleshooting	8-9-10	06-11	Disassembly-Assembly - hydrostatic control valve ..	13-14-15-16-17-18-19-20-21-22-23-24-25-26-27-28	06-11
CHAPTER 8 - Front Loader			Hydrostatic steering control valve bench testing	29-30	06-11
Main Data	1	06-11	Pressure relief valve testing	31	06-11
Sections	2	06-11	Steering control cylinder. Removal - Installation	32-33	06-11
Torque Specifications	3	06-11	Steering control cylinder. Disassembly-Assembly ..	34-35	06-11
Troubleshooting	4-5	06-11			
Parking the front loader ...	6	06-11	50 - CAB HVAC SYSTEM		
Front loader arm connection bracket Removal-Installation	7	06-11	Safety regulations	2	06-11
Replacement of control struts (mod. MSL)	8	06-11	Main Data	3	06-11
Replacement of triangular articulation levers (mod. MSL)	9	06-11	Tools	4	06-11
Bucket support device removal-installation	10	06-11	Operating principles	5	06-11
Position indicator disassembly-assembly	11	06-11	Conditioning system components	6-7-8-9-10	06-11
Bushing replacement	12-13	06-11	Cab controls	11-12-13	06-11
Loader cylinder removal-installation	14	06-11	Testing operation and cooling	14-15	06-11

	Page	Date		Page	Date
Air conditioning system maintenance	16-17	06-11	System testing	8÷10	06-11
Troubleshooting	18-19-20-21	06-11	Starter motor removal-installation	11÷13	06-11
Refrigerant recovery-recycling and evacuation-charging stations	22-23	06-11	CHAPTER 3 - Charging system		
Dehydration, recharging and refrigeration check ...	24-25-26-27-28-29-30	06-11	Summary	1	06-11
Checking for and eliminating any gas leaks	31-32	06-11	Technical data	2	06-11
Cab heating/air-conditioning system. Removal - Installation	33-34	06-11	Torque Specifications	2	06-11
Cab electric fan unit. Disassembly - Assembly	35	06-11	Tools	3	06-11
Air-conditioning system condenser removal-installation	36	06-11	Description and operation .	3-4	06-11
55 - ELECTRICAL SYSTEM			System testing	5	06-11
CHAPTER 1 - Instruments			Belt Tension	6	06-11
Summary	1	06-11	Alternator motor removal and installation	7-8	06-11
Digital analog instrument	2	06-11	CHAPTER 4 - Battery		
Speedometer/tachometer .	3	06-11	Summary	1	06-11
LCD panel settings	3÷7	06-11	Technical data	2	06-11
Coolant temperature	7	06-11	Description and operation .	2	06-11
Fuel level	7	06-11	Battery removal and installation	3	06-11
Indicator lights	8÷9	06-11	Battery testing and charging procedure	4÷14	06-11
Transmitters, sensors and switches	10÷20	06-11	CHAPTER 5 - Electrical circuits		
Electronic control unit inputs/outputs (ADIC)	21÷23	06-11	Summary	1	06-11
CHAPTER 2 - Starting System			Maxi power fuses	2÷5	06-11
Summary	1	06-11	Power fuses	5÷34	06-11
Technical data	2	06-11	Battery cut-out	34	06-11
Torque Specifications	2	06-11	Sockets	35-36	06-11
Description and operation .	3	06-11	Grid heater	37	06-11
Starter and recharging circuit	4-5	06-11	Electronic modules	37-38	06-11
Troubleshooting	6-7	06-11	Main Connectors	38-39	06-11
Fuse and relay locations ..	7-8	06-11	Ground points identification	40÷42	06-11
			How to use the wiring diagrams	43÷47	06-11
			Components in descriptive order	48÷52	06-11
			List of tables for system without "standard and full optional" cab	53-54	06-11
			Components with code in ascending order	55÷57	06-11

	Page	Date		Page	Date
Tables	58÷96	06-11			
List of tables for system with "standard and full optional" cab	97-98	06-11			
Components with code in ascending order	99÷103	06-11			
Tables	104÷160	06-11			
CHAPTER 6 - Wiring Harnesses and Connectors			90 - PLATFORM, CAB, BODYWORK		
Summary			CHAPTER 1 - Cab		
	1	06-11	Bonnet. Removal - Installation	2	06-11
Components in descriptive order	2÷7	06-11	Cab assembly with platform. Removal - Installation	3-4-5-6-7-8-9	06-11
Components with code in ascending order	8÷12	06-11	Cab right-hand pillar guard removal - installation	10	06-11
Harnesses	13÷20	06-11	Cab right-hand top guard removal - installation	11	06-11
Connectors	21÷92	06-11	Cab right-hand mudguard guard removal-installation	12	06-11
			Cab left-hand top guard removal-installation	13	06-11
			Windows. Replace	14-15-16	06-11

GENERAL INSTRUCTIONS

IMPORTANT NOTICE

All maintenance and repair work described in this manual must be performed exclusively by NEW HOLLAND service technicians, in strict accordance with the instructions given and using any specific tools necessary. Anyone performing the operations described herein without strictly following the instructions is personally responsible for any eventual injury or damage to property.

BATTERY

Before carrying out any kind of service operation disconnect and isolate the battery negative lead, unless otherwise requested for specific operations (e.g.: operations requiring the engine to be running), after which it is necessary to disconnect the above-mentioned lead to complete the work.

SHIMMING

For each adjustment operation, select adjusting shims and measure individually using a micrometer, then add up the recorded values. Do not rely on measuring the entire shimming set, which may be incorrect, or the rated value indicated for each shim.

ROTATING SHAFT SEALS

For correct rotating shaft seal installation, proceed as follows:

- before assembly, allow the seal to soak in the oil it will be sealing for at least thirty minutes;
- thoroughly clean the shaft and check that the working surface on the shaft is not damaged;
- position the sealing lip facing the fluid; with hydrodynamic lips, take into consideration the shaft rotation direction and position the grooves so that they will deviate the fluid towards the inner side of the seal;
- smear the sealing lip with a thin layer of lubricant (use oil rather than grease) and fill the gap between the sealing lip and the dust lip on double lip seals with grease;
- insert the seal in its seat and press down using a flat punch, do not tap the seal with a hammer or mallet;
- whilst inserting the seal, check that it is perpendicular to the seat; once settled, make sure that it makes contact with the thrust element, if required;
- to prevent damaging the seal lip on the shaft, position a protective guard during installation operations.

O-RING SEALS

Lubricate the O-RING seals before inserting them in the seats, this will prevent them from overturning and twisting, which would jeopardise sealing efficiency.

SEALING COMPOUNDS

Apply one of the following sealing compounds on the mating surfaces marked with an X: LOCTITE 518 or LOCTITE 5205 or SUPERBOND 559 or BETALOK A272M.

Before applying the sealing compound, prepare the surfaces as follows:

- remove any incrustations using a wire brush;
- thoroughly degrease the surfaces using one of the following cleaning agent: trichlorethylene, petrol or a water and soda solution.

BEARINGS

When installing bearings it is advised to:

- heat the bearings to 80 ÷ 90 °C before fitting on the shafts;
- allow the bearings to cool before installing them from the outside.

SPRING PINS

When fitting split socket elastic pins, ensure that the pin notch is positioned in the direction of the force required to stress the pin.

Spiral spring pins do not require special positioning

SPARE PARTS

Use genuine parts only.

Only genuine spare parts guarantee the same quality, duration and safety as they are the same parts that are assembled during production.

Only **genuine parts** can offer this guarantee.

When ordering spare parts, always provide the following information:

- tractor model (commercial name) and frame number;
- engine type and number;
- part number of the ordered part, which can be found on the "Spare Parts Catalogue", which is the base for order processing.

NOTES FOR EQUIPMENT

The tools that NEW HOLLAND offer and illustrate in this manual are:

- specifically researched and designed for use with NEW HOLLAND vehicles;
- necessary to make a reliable repair;
- accurately built and strictly tested to offer efficient and long-lasting working means.

By using these tools, repair personnel will benefit from:

- operating in optimal technical conditions;
- obtaining the best results;
- save time and effort;
- working in safe conditions.

IMPORTANT NOTES

Wear limit values indicated for certain parts are recommended, but not binding. The terms "front", "rear", "right-hand" and "left-hand" (when referred to different parts) are intended as seen from the driving position with the tractor in the normal direction of movement.

MOVING THE TRACTOR WITH THE BATTERY REMOVED

External power supply cables should only be connected to the respective positive and negative cable terminals, using efficient clamps that guarantee adequate and secure contact.

Disconnect all services (lights, windshield wipers, etc.) before starting the vehicle.

If the tractor electrical system requires checking, carry out operations with the power supply connected. Once checking is completed, disconnect all services and switch off the power supply before disconnecting the cables.

SAFETY RULES

PAY ATTENTION TO THIS SYMBOL

This warning symbol points out important messages concerning your safety.

Carefully read the following safety regulations and observe advised precautions in order to avoid potential hazards and safeguard your health and safety.

In this manual the symbol is accompanied by the following key-words:

WARNING - Warnings concerning unsuitable repair operations that may jeopardise the safety of Repair personnel.

DANGER - Specific warnings concerning potential hazards for operator safety or for other persons directly or indirectly involved.



1

TO PREVENT ACCIDENTS

Most accidents or injuries that occur in workshops are the result of non-observance of simple and fundamental safety regulations. For this reason, IN MOST CASES THESE ACCIDENTS CAN BE AVOIDED by foreseeing possible causes and consequently acting with the necessary caution and care.

Accidents may occur with all types of vehicle, regardless of how well it was designed and built.

A careful and judicious service technician is the best guarantee against accidents.

Precise observance of the most basic safety rule is normally sufficient to avoid many serious accidents.

DANGER. Never carry out any cleaning, lubrication or maintenance operations when the engine is running.

SAFETY RULES

GENERAL GUIDELINES

- Carefully follow specified repair and maintenance procedures.
- Do not wear rings, wristwatches, jewels, unbuttoned or flapping clothing such as ties, torn clothes, scarves, open jackets or shirts with open zips which could get caught on moving parts. Use approved safety clothing such as anti-slipping footwear, gloves, safety goggles, helmets, etc.

- Do not carry out repair operations with someone sitting in the driver's seat, unless the person is a trained technician who is assisting with the operation in question.
- Do not operate the vehicle or use any of the implements from different positions, other than the driver's seat.
- Do not carry out operations on the vehicle with the engine running, unless specifically indicated.
- Stop the engine and ensure that all pressure is relieved from hydraulic circuits before removing caps, covers, valves, etc.
- All repair and maintenance operations must be carried out using extreme care and attention.
- Service steps and platforms used in a workshop or in the field should be built in compliance with the safety rules in force.
- Disconnect the batteries and label all controls to indicate that the vehicle is being serviced. Block the machine and all equipment which should be raised.
- Do not check or fill fuel tanks, accumulator batteries, nor use starting liquid when smoking or near naked flames, as these fluids are inflammable.
- Brakes are inoperative when manually released for repair or maintenance purposes. Use blocks or similar devices to control the machine in these conditions.
- The fuel nozzle should always be in contact with the filling aperture: Maintain this contact until the fuel stops flowing into the tank to avoid possible sparks due to static electricity buildup.

- Only use specified towing points for towing the vehicle. Connect parts carefully. Make sure that all pins and/or locks are secured in position before applying traction. Never remain near the towing bars, cables or chains that are operating under load.
- Transport vehicles that cannot be driven using a trailer or a low-loading platform trolley, if available.
- When loading or unloading the vehicle from the trailer (or other means of transport), select a flat area capable of sustaining the trailer or truck wheels. Firmly secure the vehicle to the truck or trailer and lock the wheels in the position used by the carrier.
- Electric heaters, battery-chargers and similar equipment must only be powered by auxiliary power supplies with efficient ground insulation to avoid electrical shock hazards.
- Always use suitable hoisting or lifting devices when raising or moving heavy parts.
- Take extra care if bystanders are present.
- Never pour petrol or diesel oil into open, wide or low containers.
- Never use gasoline, diesel oil or other inflammable liquids as cleaning agents. Use non-inflammable, non-toxic commercially available solvents.
- Wear safety goggles with side guards when cleaning parts with compressed air.
- Limit the air pressure to a maximum of 2.1 bar, according to local regulations.
- Do not run the engine in confined spaces without suitable ventilation.
- Do not smoke, use naked flames, or cause sparks in the area when fuel filling or handling highly inflammable liquids.
- Never use naked flames for lighting when working on the machine or checking for leaks.
- All movements must be carried out carefully when working under, on or near the vehicle. Wear suitable safety clothing, i.e., hard hat, safety goggles and special shoes.
- When carrying out checks with the engine running, request the assistance of an operator in the driver's seat. The operator must maintain visual contact with the service technician at all times.
- If operating outside the workshop, position the vehicle on a flat surface and lock in position. If working on a slope, lock the vehicle in position. Move to a flat area as soon as is safely possible.
- Damaged or bent chains or cables are unreliable. Do not use them for lifting or towing. Always use suitable protective gloves when handling chains or cables.
- Chains should always be safely secured. Make sure that the hitch-up point is capable of sustaining the load in question. Keep the area near the hitch-up point, chains or cables free of all bystanders.
- Maintenance and repair operations must be carried out in a CLEAN and DRY area. Eliminate any water or oil spillage immediately.
- Do not create piles of oil or grease-soaked rags as they represent a serious fire hazard. Always place them into a metal container. Before starting the tractor or its attachments, check, adjust and block the operator's seat. Also check that there are no persons within the vehicle or implement range of action.
- Empty pockets of all objects that may fall unobserved into the vehicle parts.
- In the presence of protruding metal parts, use protective goggles or goggles with side guards, helmets, special footwear and gloves.
- When welding, use protective safety devices: tinted safety goggles, helmets, special overalls, gloves and footwear. All persons present in the area where welding is taking place must wear tinted goggles. NEVER LOOK DIRECTLY AT THE WELDING ARC WITHOUT SUITABLE EYE PROTECTION.
- Metal cables tend to fray with repeated use. Always use suitable protective devices (gloves, goggles, etc.) when handling cables.
- Handle all parts with great care. Do not put your hands or fingers between moving parts. Always wear suitable safety clothing - safety goggles, gloves and shoes.

STARTING

- Never run the engine in confined spaces that are not equipped with adequate ventilation for exhaust gas extraction.
- Never place the head, body, limbs, feet, hands or fingers near fans or rotating belts.

ENGINE

- Always loosen the radiator cap slowly before removing it to allow any remaining pressure in the system to be discharged. Filling up with coolant should only be carried out with the engine stopped or idling (if hot).
- Never fill up with fuel when the engine is running, especially if hot, in order to prevent the outbreak of fire as a result of fuel spillage.
- Never check or adjust fan belt tension when the engine is running. Never adjust the fuel injection pump when the vehicle is moving.
- Never lubricate the vehicle when the engine is running.

ELECTRICAL SYSTEMS

- If it is necessary to use auxiliary batteries, remember that both ends of the cables must be connected as follows: (+) with (+) and (-) with (-). Avoid short-circuiting the terminals. **GAS RELEASED FROM BATTERIES IS HIGHLY INFLAMMABLE.** During charging, leave the battery compartment uncovered to improve ventilation. Never check the battery charge using "jumpers" (metal objects placed on the terminals). Avoid sparks or flames near the battery zone. Do no smoke to prevent explosion hazards.
- Before servicing operations, check for fuel or current leaks. Eliminate any eventual leaks before proceeding with work.
- Never charge batteries in confined spaces. Make sure that there is adequate ventilation in order to prevent accidental explosion hazards as a result of the accumulation of gases released during charging operations.
- Always disconnect the batteries before performing any kind of servicing on the electrical system.

HYDRAULIC SYSTEMS

- A liquid leaking from a tiny hole may be almost invisible but, at the same time, be powerful

enough to penetrate the skin. Therefore, use a piece of cardboard or wood for this purpose. **NEVER DO IT WITH YOUR HANDS:** If any liquid penetrates skin tissue, call for medical aid immediately. Failure to treat this condition with correct medical procedure may result in serious infection or dermatosis.

- In order to check the pressure in the system use suitable instruments.

WHEELS AND TYRES

- Make sure that the tyres are correctly inflated at the pressure specified by the manufacturer. Periodically check possible damages to the rims and tyres.
- Stand away from (at the side of) the tyre when checking inflation pressure.
- Only check pressure when the vehicle is unloaded and the tyres are cold, to avoid incorrect readings as a result of over-pressure. Do not reuse parts of recovered wheels as improper welding, brazing or heating may weaken the wheel and make it fail.
- Never cut or weld a rim mounted with an inflated tyre.
- To remove the wheels, lock both the front and rear vehicle wheels. After having raised the vehicle, position supports underneath, according to regulations in force.
- Deflate the tyre before removing any object caught in the tyre tread.
- Never inflate tyres using inflammable gases, as this may result in explosions and injury to bystanders.

REMOVAL AND RE-FITTING

- Lift and handle all heavy parts using suitable hoisting equipment. Make sure that parts are sustained by appropriate hooks and slings. Use the hoisting eyebolts for lifting operations. Extra care should be taken if persons are present near the load to be lifted.
- Handle all parts with carefully. Do not put your hands or fingers between parts. Wear suitable safety clothing, i.e. safety goggles, gloves and footwear.
- Avoid twisting chains or metal cables. Always wear safety gloves when handling cables or chains.

TRACTOR REFUELLING

COMPONENT TO BE FILLED OR TOPPED UP	QUANTITY dm ³ (litres)	RECOMMENDED NEW HOLLAND PRODUCTS	NEW HOLLAND SPECIFICATIONS	INTERNATIONAL SPECIFICATIONS
Cooling system: less cab	14.0	Water & liquid AMBRA AGRIFLU 50% + 50%	MS1710	-
with cab	16.0			
Washer fluid reservoir	2.0	Water & liquid	-	-
Fuel tank	90	Decanted, filtered diesel fuel	-	-
Engine oil sump	8.5	AMBRA Oil MASTERGOLD HSP	NH 330H (SAE 15W-40) NH 324H (SAE 10W-40))	API CI-4/CH-4 ACEA E7/E5
Brake control circuit	0.7	AMBRA oil BRAKE LHM	-	ISO 7308
Front axle: axle housing	4.5	AMBRA MULTI G oil	NH 410 B	API GL4 ISO 32/46 SAE 10W-30
final drives (each)	1.0			
Rear transmission (bevel drive, final drives and brakes), gearbox, hydraulic lift, PTO and hydraulic steering:	30.0 35.0	AMBRA MULTI G oil	NH 410 B	API GL4 ISO 32/46 SAE 10W-30
- with mechanical transmissions				
- with hydraulic transmissions				
Grease fittings	-	Grease AMBRA GR9	NH 710 A	NLGI 2
Air conditioner system	-	-	-	R-134a SP10
- refrigerant	1.3			
- oil	0.185			

SECTION 10 - ENGINE

Chapter 1 - Engine

CONTENTS

Section	Description	Page
10 000	General specifications	2
10 001 10	Engine Removal-Installation	4
10 216 10	Radiator - Removal-Installation	13
	Adjusting the accelerator control cable	16

NOTE: For the main data, tightening torques, tools, diagrams, lubrication and cooling diagrams, fault diagnosis, disassembly-assembly, checks and overhauling, see the Repairs Manual

print no. 84242034A - Italian;

print no. 84208943A - English;

print no. 84242032A - French;

print no. 84242037A - Spanish;

print no. 84242033A - German;

print no. 84242031A - Dutch;

print no. 84242036A - Portuguese;

print no. 84242030A - Danish.

GENERAL SPECIFICATIONS	
Engine, technical type:	
- mod. T4.55 - type F5AE9454J*A (BOSCH pump)	
- mod. T4.65 - type F5AE9454L*A (BOSCH pump)	
- mod. T4.75 - type F5AE9454K*A (BOSCH pump)	
Cycle	diesel, 4-stroke
Fuel injection	Direct
Number of cylinders in line	4
Piston diameter	99 mm
Piston stroke	104 mm
Total displacement	3200 cm ³
Compression ratio	17.5 ± 0.5:1
Maximum Power Output:	
- mod. T4.55 - type F5AE9454J*A	41 kW (55 Hp)
- mod. T4.65 - type F5AE9454L*A	48 kW (65 Hp)
- mod. T4.75 - type F5AE9454K*A	55 kW (75 Hp)
Maximum power speed	2300 rpm
Maximum torque speed	1400 rpm
Torque Rise	35 (%)
Number of main bearings	5
Sump pan	structural, cast iron
Lubrication	forced, with lobe pump
Pump drive	from crankshaft
Oil filtration	via mesh filter on inlet and cartridge on delivery
Normal oil pressure with motor warmed-up at fast idling	2.9 ÷ 3.9 bar
Cooling	coolant circulation
Radiator	4 lines of vertical pipes with copper fins
Fan, attached to the pulley	intake, in plastic with 11 blades
Coolant pump	centrifugal vane-type
Temperature control	via thermostat valve
- initial opening	79 ± 2 °C

(continued)

(overleaf)

GENERAL SPECIFICATIONS	
Timing	overhead valves operated by tappets, rods and rocker arms via the camshaft located in the engine block; the camshaft is driven by the crankshaft using straight-tooth gears
Intake:	
- start: before T.D.C.	19° ± 30'
- end: after B.D.C.	37° ± 30'
Exhaust:	
- start: before B.D.C.	61° ± 30'
- end: after T.D.C.	21° ± 30'
Clearance between valves and rocker arms with engine cold:	
- intake	0.25 ± 0.05 mm
- exhaust	0.50 ± 0.05 mm
Fuel system	
Air filtering	via dry air filter with double cartridge, clogging warning light with centrifuge prefilter and automatic exhaust of dust
Fuel pump	with double diaphragm
Fuel filtration	via mesh filter in the fuel pump, a renewable cartridge filter on the delivery to the injection pump
Cam operated	via engine timing
BOSCH Injection pump	rotating distributor type
All-speed governor, incorporated in pump:	
BOSCH	centrifugal counterweights
Automatic advance regulator, incorporated in pump:	
BOSCH	hydraulic
Turbocharger	
- type	HOLSET
Injection pump	rotating distributor with speed governor and advance variator incorporated
BOSCH pump:	
- mod. T4.55 - type F5AE9454J*A	VE 4/12 F1150-504246316
- mod. T4.65 - type F5AE9454L*A	VE 4/12 F1150-504246318
- mod. T4.75 - type F5AE9454K*A	VE 4/12 F1150-504246318
Direction of rotation	clockwise
Injection order	1-3-4-2 (for all models)

Op. 10 001 10 ENGINE Removal-Installation



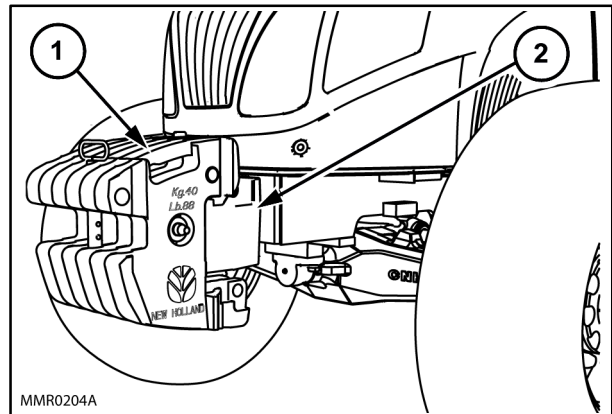
Lift and handle all heavy parts using suitable lifting equipment.

Make sure that assemblies or parts are supported by means of suitable slings and hooks. Ensure that no-one is in the vicinity of the load to be lifted.



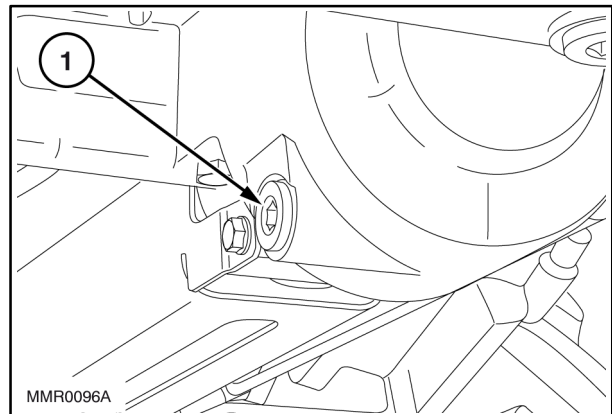
Use suitable tools to align the holes. **NEVER USE FINGERS OR HANDS.**

1. Carry out operation **90 150 10** - Cab assembly with platform (do only the removal - see sect. 90, chapter 1).
2. Extract the fixing pin and remove the ballast weights (1); unscrew the fixing screws and recover the ballast support (2).

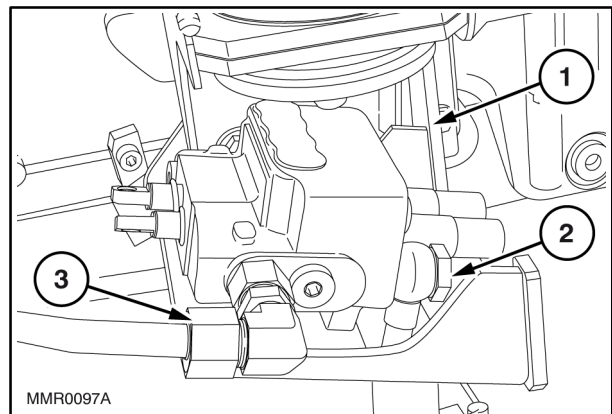


3. Position a suitable container under the rear transmission, unscrew the plug (1) and drain off the oil from the transmission.

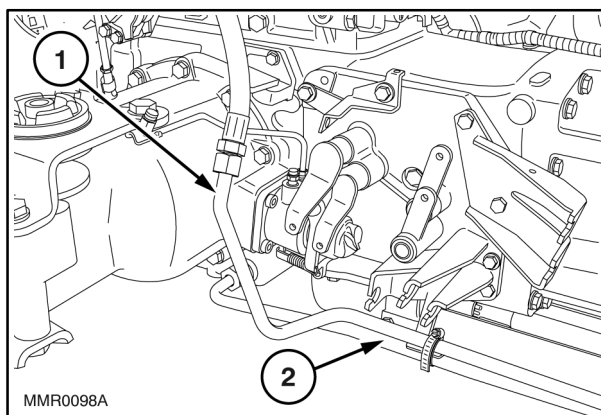
NOTE: Consider that the prescribed quantity is: 35 litres for mechanical transmissions or 40 litres for hydraulic transmissions.



4. Disconnect the pipes (2 and 3) from the central auxiliary control valves, unscrew the bracket fixing screws (1) supporting the control valves and remove the unit.

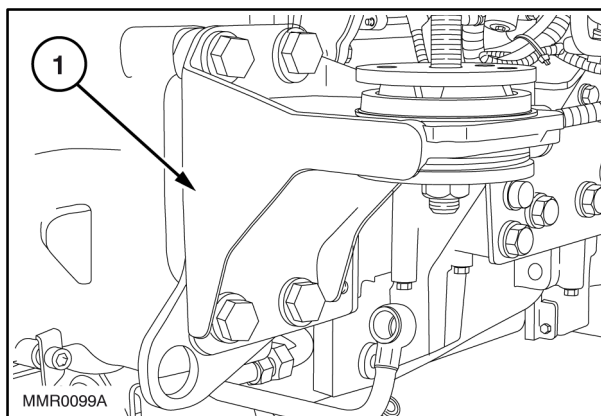


5. Disconnect the following pipes from the central auxiliary control valves: delivery (1) to the rear auxiliary control valves and return (2) to the transmission box.



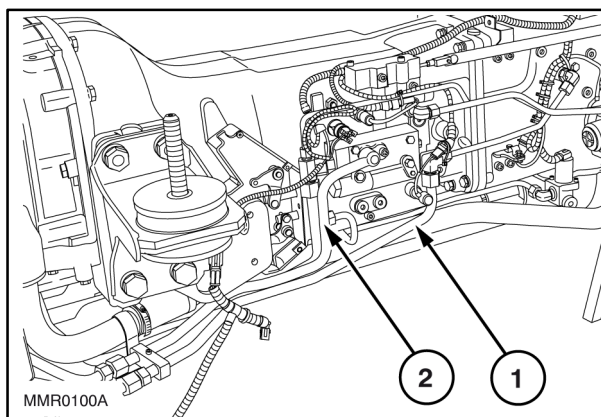
4

6. Unscrew the relative retaining bolts and detach the cab right-hand support (1). Do this on both sides.



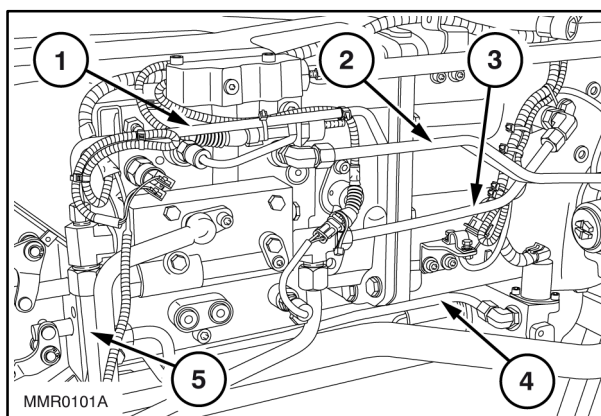
5

7. Disconnect and detach the pipes (1 and 2) connecting the power shuttle control valve to the cooler.



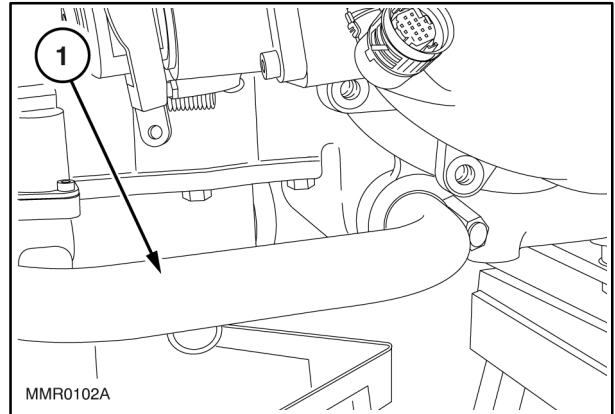
6

8. Disconnect the central auxiliary control valve connection line (5).
 9. Disconnect the rear auxiliary control valve connection line (1).
 10. Disconnect the four-wheel drive engagement control line (4).
 11. Disconnect the PTO control line (2).
 12. Disconnect the rear transmission lubrication line (3).



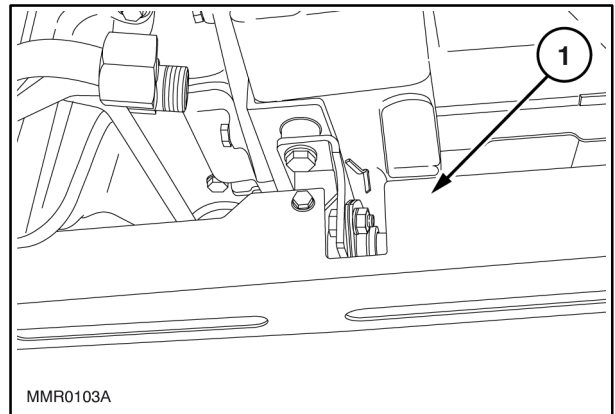
7

13. Disconnect the intake pipe (1) from the rear transmission box and from the filter support, remove this pipe.



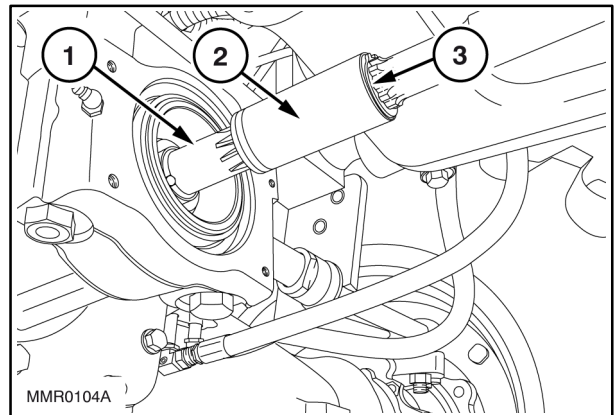
8

14. Unscrew the front, middle and rear fasteners, and detach the propeller shaft guard (1).



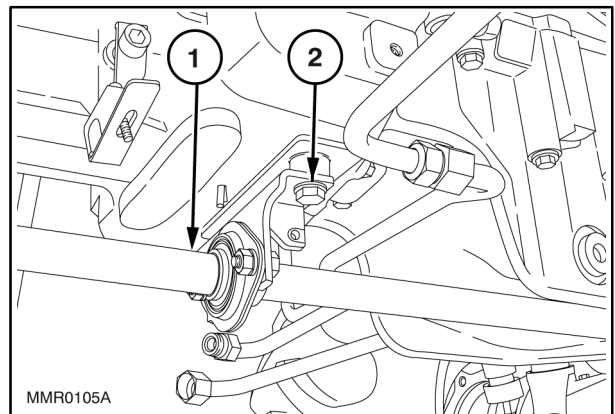
9

15. Remove the circlip (3) and move the sleeve (2) back to free it from the splined output shaft of the front axle (1), do this on the rear sleeve too.



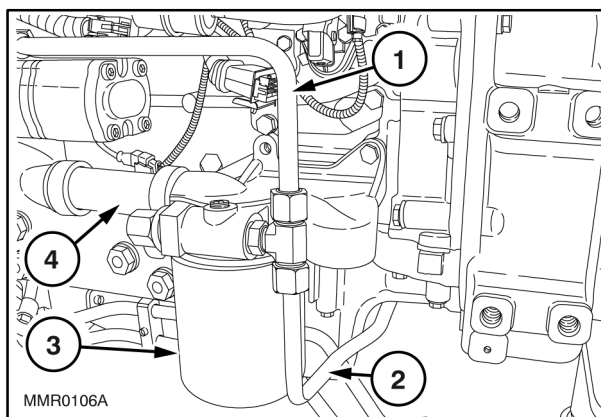
10

16. Unscrew bolts (2) and remove the propeller shaft (1).



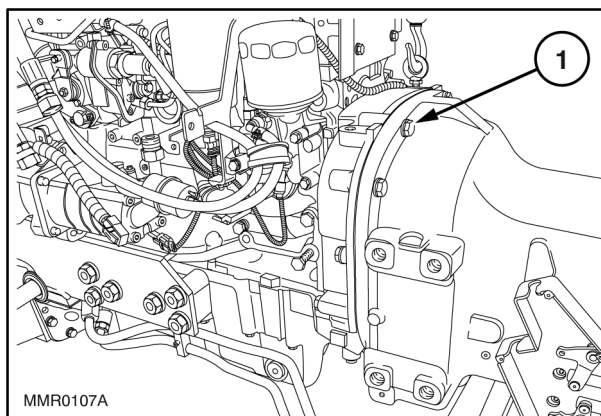
11

17. Disconnect the pipes: (1) connecting to the hydraulic pump, (2) connecting to the central auxiliary control valves and (4) hydraulic pump inlet.
18. Unscrew the retaining bolts and remove the filter (3) and support.



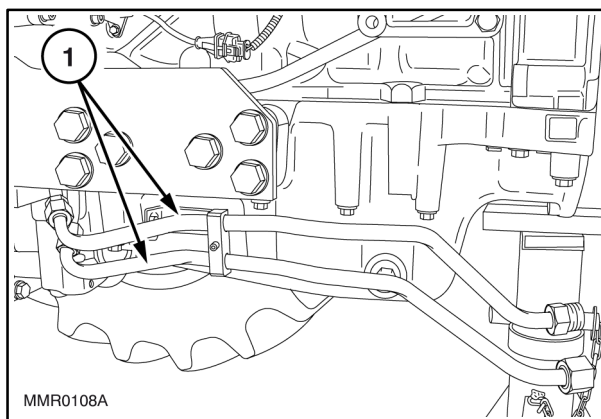
12

19. Set a fixed stand under the clutch box, connect the rear of the engine to the hoist, unscrew the fixing screws (1) and detach the engine together with the front axle from the clutch box.



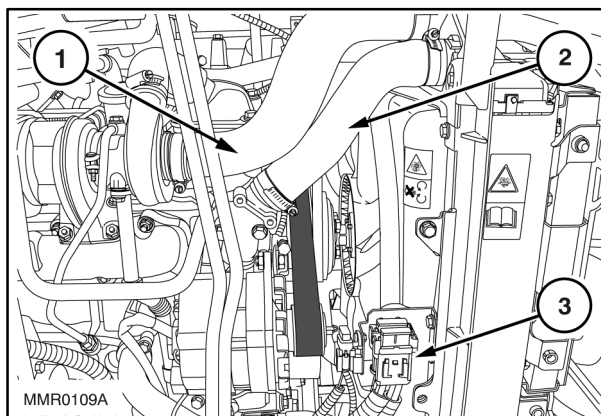
13

20. Disconnect the pipes (1) connecting to the transmission oil cooler.



14

21. Disconnect the radiator top sleeve (2).
22. Disconnect the sleeve (1) connecting the turbocharger to the air filter.
23. Unscrew the retaining bolts and detach the maxi-fuse support bracket (3).



15

**Thanks very much for your reading,
Want to get more information,
Please click here, Then get the complete
manual**

JustClickHere 

NOTE:

**If there is no response to click on the link above,
please download the PDF document first, and then
click on it.**

**Have any questions please write to me:
admin@servicemanualperfect.com**